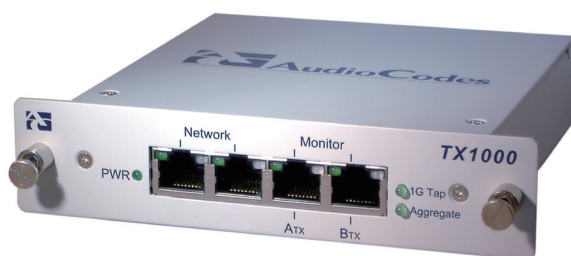


Ai-Logix Enabling Technology Products

SmartWORKS™ TX100/TX1000 For Use With IPX/HPX



The **TX100 & TX1000** provides access to a gigabit network with connections to 10/100M (TX1000: support 1000M) monitoring equipment such as a SmartWORKS™ IPX or HPX. It can be placed anywhere in the configuration between two network devices.

TX100: The traffic from the access point is amplified and balanced for connection to network monitoring equipment. Upstream and downstream traffic are separated for improved application flexibility.

TX1000: Advanced switching capabilities allows for filtering not available on other Gigabit tapping products.

MIRROR PORT OUTPUT

Upstream and downstream traffic can be maintained as separate streams or aggregated to a single output port.

FAIL OVER TECHNOLOGY

Relay capabilities will not break the Power Over Ethernet (PoE) circuit of the monitored line even in the event of power loss to the TX1000. PoE support means that endpoints will not lose power supply on PoE enabled networks.

RELAY TECHNOLOGY

Relay capabilities will not break the Power Over Ethernet (PoE) circuit of the monitored line even in the event of power loss to the TX1000. PoE support means that endpoints will not lose power supply on PoE enabled networks.

NETWORK TRANSPARENT

The TX100/TX1000 does not require a MAC or IP Address, therefore; will not be visible to your customer's equipment.

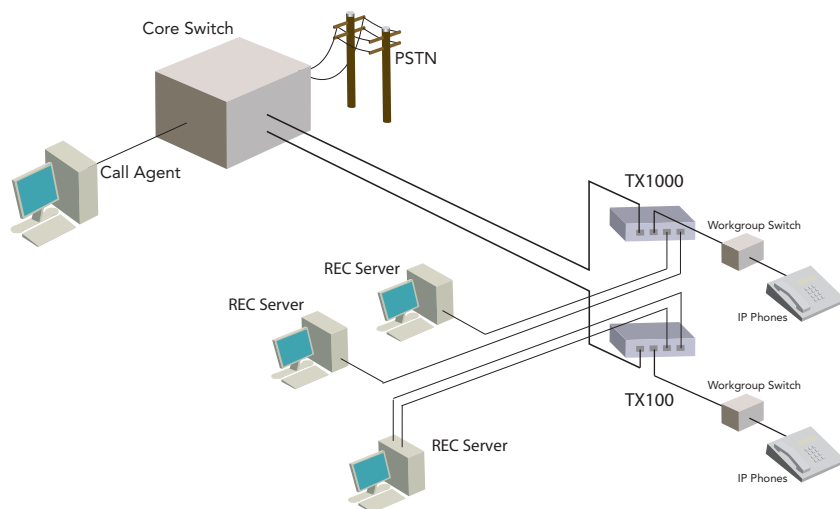
TX100 FEATURES

- Provides 2 active connections to network monitoring equipment
- Separate connections for monitoring upstream and downstream traffic
- Passive access point to 10/100BaseT network devices and traffic
- Network transparent, this device does not require a Mac/IP address
- Compatible with all major manufacturer's network equipment
- Redundant Power Supply (optional)

TX1000 FEATURES

- VLAN Filtering Support on Mirror ports
- Power Over Ethernet (PoE) relay
- 10/100/1000 network interfaces
- Redundant Power Supply (optional)
- Network Transparent
- Full-Duplex Monitoring
- Auto-Negotiation
- Rack Mountable (optional)
- VLAN Configurable
- Power Over Ethernet (PoE) relay

- Not require a Mac/IP address
- Auto-Negotiation
- Dual Power Supply



TX100/TX1000 Application Model

Ai-Logix Enabling Technology Products

SmartWORKS™ TX100/TX1000

SPECIFICATIONS

Physical Requirements

Dimensions	3.2cm H x 14.1cm W x 13.3cm D
Form Factor	Rack mounted (optional 3 card rack mount available)
Power Supply	Dual 12VDC/200mA

LEDs

- (1) power indicator
- (2) traffic activity indicators

Connectors

Network Ports two 10/100 RJ45
Tap Out Ports two 10/100/1000 RJ45
specifications
IEEE 802.3 compliant shielded 8-pin

Cabling

CAT 5 (straightthrough)

Safety And Certifications (Pending)

Safety	IEC60950-1 (pending)
EMI	EN55022:1994 + A1:95 + A2:97, EN55024:1998 + A1:01 + A2:03 and FCC CFR 47 part 15 subpart B: 2005

Order Information

TX100	910-0331-002
TX1000	910-0331-018

ABOUT AI-LOGIX

Since 1991, Ai-Logix has designed boards used in interactive and passive telephony applications. With global support for all types of telephone and radio systems - analog, digital, and enterprise PBXs, Ai-Logix products have set a new world standard in telephony communications. A single API, combined with event driven reporting simplifies application development by providing one standard for all types of networks.

Ai-Logix USA

27 World's Fair Drive, Somerset, NJ 08873
Tel: +1-732-469-0880

Ai-Logix Asia

Room 403, Huai Hai China Tower, 885 Ren Min Road, Huangpu District, Shanghai, 200010 P.R.China
Tel: +86-21-5358-0108

Website: www.ai-logix.com.cn

©2013 Ai-Logix Inc. All rights reserved. Ai-Logix, the Ai-Logix logo and SmartWORKS™ are trademarks or registered trademarks of Ai-Logix Inc. All other marks are the property of their respective owners. The information and specifications in this document and the product(s) are subject to change without notice.